



Meksis
Mechanical Systems

MAXIMOD
"LARGE MODULE TANK"

There is always the best of everything...
WE THOUGHT AND WORKED FOR YOU.

We manufactured the **LARGEST MODULE**
PRISMATIC MODULAR
WATER TANK

MORE PRACTICAL
HYGIENIC
ECONOMICAL



Meksis **MAXIMOD**
"LARGE MODULE TANK"

You can now;

HAVE TANKS WITH VERY LARGE CAPACITIES
WITH MUCH MORE ECONOMICAL PRICES.



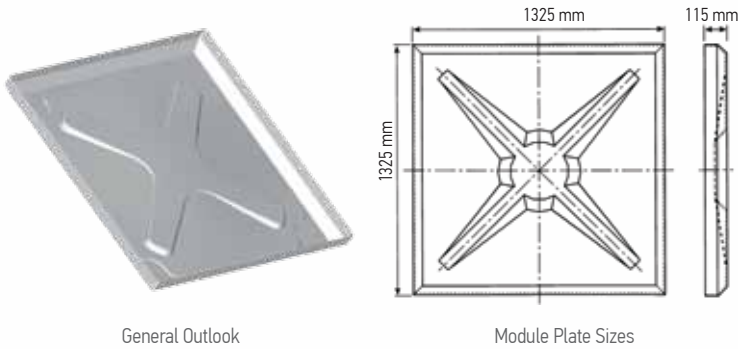
*Meksis has been in the service of our industry and people in industrializing
Turkey with its 30 years of experience.*

www.meksis.com.tr

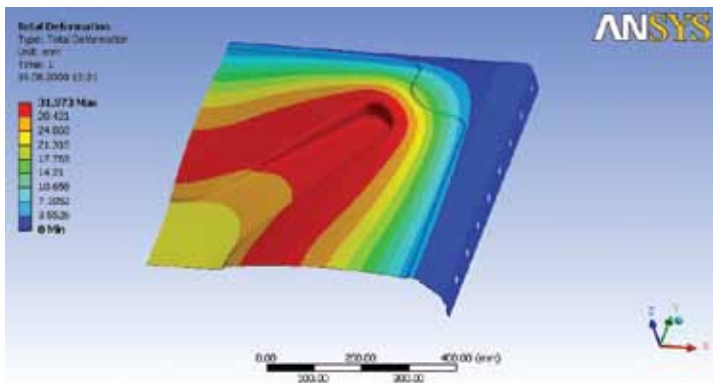
WHY MEKSIS MAXIMOD?

- * Less number of plate, less gaskets, less bolts and as a result of this "LESS RISK OF LEAKAGE".
- * "THE FACILITY TO STORE IN BIGGER CAPACITIES" due to use of larger modules.
- * "THE FACILITY OF QUICKER ASSEMBLY" due to use of large modules.
- * "THE FACILITY OF INNER AND OUTER ASSEMBLY" thanks to special construction.
- * Assembly facility in different CONSTRUCTIONS.

MODULE PLATES AND SIZES



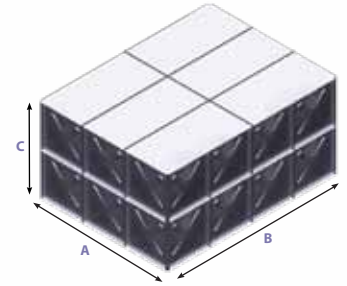
VERY SPECIAL SURFACE FORM



The most optimum and durable module has been formed by using special "Stress Analysis Methods" for the form of tank module. Thus, the facility of "THE MOST ECONOMICAL TANK" has been offered.

CAPACITY and SIZES

LARGE MODULE PRISMATIC MODULAR WATER TANKS



TYPE	Capacity	A	B	C
BMD 111	2.326	1,325	1,325	1,325
BMD 121	4.652	1,325	2,650	1,325
BMD 131	6.979	1,325	3,975	1,325
BMD 141	9.305	1,325	5,300	1,325
BMD 151	11.631	1,325	6,625	1,325
BMD 221	9.305	2,650	2,650	1,325
BMD 231	13.957	2,650	3,975	1,325
BMD 241	18.610	2,650	5,300	1,325
BMD 251	23.262	2,650	6,625	1,325
BMD 261	27.914	2,650	7,950	1,325
BMD 331	20.936	3,975	3,975	1,325
BMD 341	27.914	3,975	5,300	1,325
BMD 351	34.893	3,975	6,625	1,325
BMD 441	37.219	5,300	5,300	1,325
BMD 112	4.652	1,325	1,325	2,650
BMD 122	9.305	1,325	2,650	2,650
BMD 132	13.957	1,325	3,975	2,650
BMD 142	18.610	1,325	5,300	2,650
BMD 152	23.262	1,325	6,625	2,650
BMD 222	18.610	2,650	2,650	2,650
BMD 232	27.914	2,650	3,975	2,650
BMD 242	37.219	2,650	5,300	2,650
BMD 252	46.524	2,650	6,625	2,650
BMD 262	55.829	2,650	7,950	2,650
BMD 272	65.134	2,650	9,275	2,650
BMD 282	74.439	2,650	10,600	2,650
BMD 292	83.743	2,650	11,925	2,650
BMD 3.10.2	93.048	2,650	13,250	2,650
BMD 332	41.872	3,975	3,975	2,650
BMD 342	55.829	3,975	5,300	2,650
BMD 352	69.786	3,975	6,625	2,650
BMD 362	83.743	3,975	7,950	2,650
BMD 372	97.701	3,975	9,275	2,650
BMD 382	111.658	3,975	10,600	2,650
BMD 392	125.615	3,975	11,925	2,650
BMD 3.10.2	139.572	3,975	13,250	2,650
BMD 3.11.2	153.529	3,975	14,575	2,650
BMD 3.12.2	167.487	3,975	15,900	2,650
BMD 442	74.439	5,300	5,300	2,650
BMD 452	93.048	5,300	6,625	2,650
BMD 462	111.658	5,300	7,950	2,650
BMD 472	130.267	5,300	9,275	2,650
BMD 482	148.877	5,300	10,600	2,650
BMD 492	167.487	5,300	11,925	2,650
BMD 4.10.2	186.096	5,300	13,250	2,650
BMD 4.11.2	204.706	5,300	14,575	2,650
BMD 4.12.2	223.316	5,300	15,900	2,650
BMD 552	116.310	6,625	6,625	2,650
BMD 562	139.572	6,625	7,950	2,650
BMD 572	162.834	6,625	9,275	2,650
BMD 582	186.096	6,625	10,600	2,650
BMD 592	209.358	6,625	11,925	2,650
BMD 5.10.2	232.620	6,625	13,250	2,650
BMD 5.11.2	255.882	6,625	14,575	2,650
BMD 5.12.2	279.144	6,625	15,900	2,650
BMD 662	167.487	7,950	7,950	2,650
BMD 672	195.401	7,950	9,275	2,650
BMD 682	223.316	7,950	10,600	2,650
BMD 692	251.230	7,950	11,925	2,650
BMD 6.10.2	279.144	7,950	13,250	2,650
BMD 6.11.2	307.059	7,950	14,575	2,650
BMD 6.12.2	334.973	7,950	15,900	2,650
BMD 772	227.968	9,275	9,275	2,650
BMD 782	260.535	9,275	10,600	2,650
BMD 792	293.102	9,275	11,925	2,650
BMD 7.10.2	325.668	9,275	13,250	2,650
BMD 7.11.2	358.235	9,275	14,575	2,650
BMD 7.12.2	390.802	9,275	15,900	2,650
BMD 882	297.754	10,600	10,600	2,650
BMD 892	334.973	10,600	11,925	2,650
BMD 8.10.2	372.193	10,600	13,250	2,650
BMD 8.11.2	409.412	10,600	14,575	2,650
BMD 8.12.2	446.631	10,600	15,900	2,650
BMD 8.13.2	483.850	10,600	17,225	2,650
BMD 8.14.2	521.070	10,600	18,550	2,650

TYPE	Capacity	A	B	C
BMD 9.10.2	418.717	11,925	13,250	2,650
BMD 10.10.2	465.241	13,250	13,250	2,650
BMD 113	6.979	1,325	1,325	3,975
BMD 123	13.957	1,325	2,650	3,975
BMD 133	20.936	1,325	3,975	3,975
BMD 143	27.914	1,325	5,300	3,975
BMD 153	34.893	1,325	6,625	3,975
BMD 223	27.914	2,650	2,650	3,975
BMD 233	41.872	2,650	3,975	3,975
BMD 243	55.829	2,650	5,300	3,975
BMD 253	69.786	2,650	6,625	3,975
BMD 263	83.743	2,650	7,950	3,975
BMD 273	97.701	2,650	9,275	3,975
BMD 283	111.658	2,650	10,600	3,975
BMD 293	125.615	2,650	11,925	3,975
BMD 2.10.3	139.572	2,650	13,250	3,975
BMD 333	62.807	3,975	3,975	3,975
BMD 343	83.743	3,975	5,300	3,975
BMD 353	104.679	3,975	6,625	3,975
BMD 363	125.615	3,975	7,950	3,975
BMD 373	146.551	3,975	9,275	3,975
BMD 383	167.487	3,975	10,600	3,975
BMD 393	188.422	3,975	11,925	3,975
BMD 3.10.3	209.358	3,975	13,250	3,975
BMD 3.11.3	230.294	3,975	14,575	3,975
BMD 3.12.3	251.230	3,975	15,900	3,975
BMD 443	111.658	5,300	5,300	3,975
BMD 453	139.572	5,300	6,625	3,975
BMD 463	167.487	5,300	7,950	3,975
BMD 473	195.401	5,300	9,275	3,975
BMD 483	223.316	5,300	10,600	3,975
BMD 493	251.230	5,300	11,925	3,975
BMD 4.10.3	279.144	5,300	13,250	3,975
BMD 4.11.3	307.059	5,300	14,575	3,975
BMD 4.12.3	334.973	5,300	15,900	3,975
BMD 4.13.3	362.888	5,300	17,225	3,975
BMD 4.14.3	390.802	5,300	18,550	3,975
BMD 553	174.465	6,625	6,625	3,975
BMD 563	209.358	6,625	7,950	3,975
BMD 583	279.144	6,625	10,600	3,975
BMD 593	314.037	6,625	11,925	3,975
BMD 5.10.3	348.930	6,625	13,250	3,975
BMD 5.11.3	383.824	6,625	14,575	3,975
BMD 5.12.3	418.717	6,625	15,900	3,975
BMD 5.13.3	453.610	6,625	17,225	3,975
BMD 5.14.3	488.503	6,625	18,550	3,975
BMD 5.15.3	523.396	6,625	19,875	3,975
BMD 663	251.230	7,950	7,950	3,975
BMD 673	293.102	7,950	9,275	3,975
BMD 683	334.973	7,950	10,600	3,975
BMD 693	376.845	7,950	11,925	3,975
BMD 6.10.3	418.717	7,950	13,250	3,975
BMD 6.11.3	460.588	7,950	14,575	3,975
BMD 6.12.3	502.460	7,950	15,900	3,975
BMD 6.13.3	544.332	7,950	17,225	3,975
BMD 6.14.3	586.203	7,950	18,550	3,975
BMD 6.15.3	628.075	7,950	19,875	3,975
BMD 773	341.952	9,275	9,275	3,975
BMD 783	390.802	9,275	10,600	3,975
BMD 793	439.652	9,275	11,925	3,975
BMD 7.10.3	488.503	9,275	13,250	3,975
BMD 7.11.3	537.353	9,275	14,575	3,975
BMD 7.12.3	586.203	9,275	15,900	3,975
BMD 883	446.631	10,600	10,600	3,975
BMD 893	502.460	10,600	11,925	3,975
BMD 8.10.3	558.289	10,600	13,250	3,975
BMD 8.11.3	614.118	10,600	14,575	3,975
BMD 8.12.3	669.947	10,600	15,900	3,975
BMD 8.13.3	725.775	10,600	17,225	3,975
BMD 8.14.3	781.604	10,600	18,550	3,975
BMD 10.10.3	697.861	13,250	13,250	3,975
BMD 12.12.3	1,004.920	15,900	15,900	3,975
BMD 14.14.3	1,367.807	18,550	18,550	3,975
BMD 15.16.3	1,674.866	19,875	21,200	3,975
BMD 15.18.3	1,884.225	19,875	23,850	3,975